

Specification

Model no.		Max. stroke (mm)	Main dimensions (mm)										Retainer dimensions (mm)			
Standard	Antirust		H	T	L	n*p	W1	W2	L1	L2	N	ØD	L3	R	P1	P2
GRD01-20	GRD01-20-S	13	17	4	20	1*10	13.4	7.8	5	1.3	10	Ø1.5	15.8	5	1.9	3
GRD01-30	GRD01-30-S	21			30	2*10							21.8	7		
GRD01-40	GRD01-40-S	29			40	3*10							27.8	9		
GRD01-50	GRD01-50-S	37			50	4*10							33.8	11		
GRD01-60	GRD01-60-S	45			60	5*10							39.8	13		
GRD01-70	GRD01-70-S	53			70	6*10							45.8	15		
GRD01-80	GRD01-80-S	61			80	7*10							51.8	17		
GRD02-30	GRD02-30-S	24			24	6							30	1*15		
GRD02-45	GRD02-45-S	30	45	2*15			33.6	8								
GRD02-60	GRD02-60-S	44	60	3*15			41.6	10								
GRD02-75	GRD02-75-S	58	75	4*15			49.6	12								
GRD02-90	GRD02-90-S	72	90	5*15			57.6	14								
GRD02-105	GRD02-105-S	86	105	6*15			65.6	16								
GRD02-120	GRD02-120-S	100	120	7*15			73.6	18								
GRD02-135	GRD02-135-S	106	135	8*15			85.6	21								
GRD02-150	GRD02-150-S	120	150	9*15			93.6	23								
GRD02-165	GRD02-165-S	134	165	10*15			101.6	25								
GRD02-180	GRD02-180-S	148	180	11*15	109.6	27										

Ordering Example :	GR	D	01	40	S	P
	Ball	D rail	Roller dia.	Rail length	Antirust	Precision Level

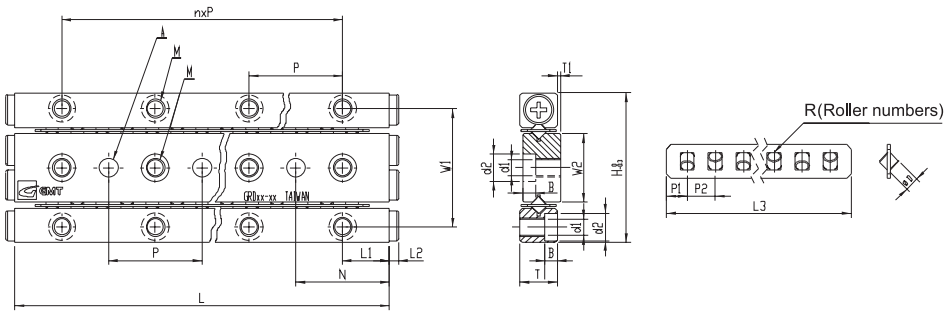


Material specification

Material Component Model no.	Rail	Roller	Retainer
GRD	SUJ2		SUS304
GRD - S	SUS440C +Ni	SUS440C	

GRD-S No Surface finished to V-groove surface of the rail.

Mounting dimensions (mm)						Load per roller			Weight (g)/2 pieces	
T1	M	d1	d2	A	B	Basic dynamic load rating	Basic static load rating	Allowable Load	Standard	Antirust
0.5	M2	1.65	3	2 ^{+0.010}	1.4	125N/1pcs	144N/1pcs	48N/1pcs	9	9
									13	13
									17	18
									20	22
									24	26
									29	31
0.5	M3	2.55	4.4	3 ^{+0.010}	2	293N/1pcs	292N/1pcs	97N/1pcs	33	35
									27	29
									40	43
									53	57
									66	70
									78	84
0.5	M3	2.55	4.4	3 ^{+0.010}	2	293N/1pcs	292N/1pcs	97N/1pcs	91	98
									104	111
									117	125
									130	139
									142	153
									155	166



Specification

Model no.		Max. stroke (mm)	Main dimensions (mm)										Retainer dimensions (mm)			
Standard	Antirust		H	T	L	n*P	W1	W2	L1	L2	N	ØD	L3	R	P1	P2
GRD03-50	GRD03-50-S	34	36	8	50	1*25	29	16.6	12.5	3	25	Ø3	36.4	7	3.2	5
GRD03-75	GRD03-75-S	54			75	2*25							51.4	10		
GRD03-100	GRD03-100-S	74			100	3*25							66.4	13		
GRD03-125	GRD03-125-S	104			125	4*25							76.4	15		
GRD03-150	GRD03-150-S	124			150	5*25							91.4	18		
GRD03-175	GRD03-175-S	144			175	6*25							106.4	21		
GRD03-200	GRD03-200-S	164			200	7*25							121.4	24		
GRD03-225	GRD03-225-S	184			225	8*25							136.4	27		
GRD03-250	GRD03-250-S	204			250	9*25							151.4	30		
GRD03-275	GRD03-275-S	224			275	10*25							166.4	33		
GRD03-300	GRD03-300-S	244	300	11*25	181.4	36										
GRD04-80	GRD04-80-S	54	44	11	80	1*40	35	20	20	2	40	Ø4	57.6	8	4.3	7
GRD04-120	GRD04-120-S	92			120	2*40							78.6	11		
GRD04-160	GRD04-160-S	130			160	3*40							99.6	14		
GRD04-200	GRD04-200-S	154			200	4*40							127.6	18		
GRD04-240	GRD04-240-S	192			240	5*40							148.6	21		
GRD04-280	GRD04-280-S	230			280	6*40							169.6	24		
GRD04-320	GRD04-320-S	254			320	7*40							197.6	28		
GRD04-360	GRD04-360-S	292			360	8*40							218.6	31		
GRD04-400	GRD04-400-S	330			400	9*40							239.6	34		
GRD04-440	GRD04-440-S	354			440	10*40							267.6	38		
GRD04-480	GRD04-480-S	392	480	11*40	288.6	41										

Ordering Example :

GR	D	03	75	S	P
Ball	D rail	Roller dia.	Rail length	Antirust	Precision Level



Material specification

Material Component Model no.	Rail	Roller	Retainer
GRD	SUJ2		SUS304
GRD - S	SUS440C +Ni	SUS440C	

GRD-S No Surface finished to V-groove surface of the rail.

Mounting dimensions (mm)						Load per roller			Weight (g)/2 pieces	
T1	M	d1	d2	A	B	Basic dynamic load rating	Basic static load rating	Allowable Load	Standard	Antirust
0.5	M4	3.3	6	4 ^{+0.012} ₀	3.1	638N/1pcs	761N/1pcs	254N/1pcs	94	101
									139	148
									183	196
									228	244
									273	292
									317	340
									362	387
									406	435
									451	483
									496	531
540	579									
0.5	M5	4.3	7.5	5 ^{+0.012} ₀	4.1	1230N/1pcs	1170N/1pcs	390N/1pcs	248	265
									366	392
									484	518
									602	645
									722	773
									840	900
									959	1028
									1079	1156
									1197	1283
									1316	1411
1434	1538									